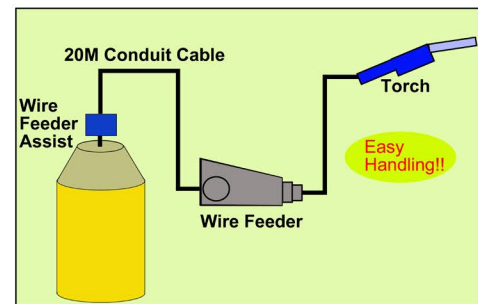
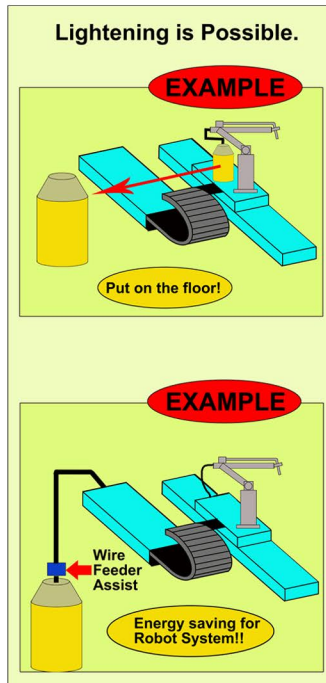
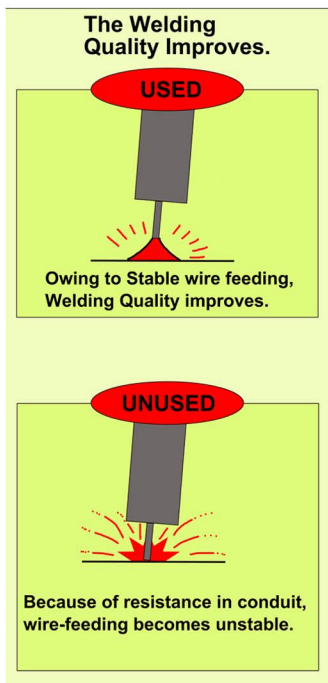
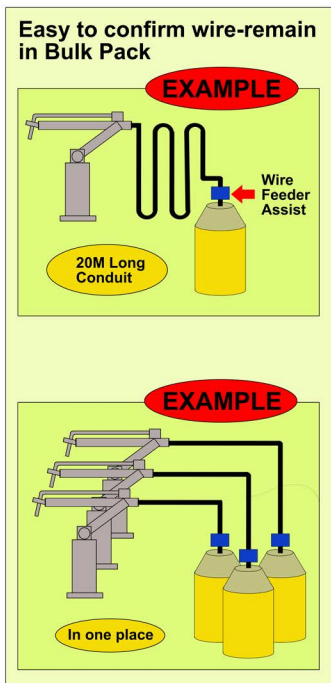




“MAC” brand Wire-Feeder Assist is installed on Bulk Pack for Robot Welding and Semi-automatic welding, enabling smooth wire feeding by reducing a resistance in Conduit. Resulting, a welding quality is increased, Easy control of remaining wire in Pack, etc. **Interfacing with Welding Robot is NO NEED.**



Interlocking with Welding Robot function & Retract function are originally equipped!!

■ Specification

Model	SEO-W-100V		SEO-W-220V	
Panel Description	Japanese		English	
Rated Power Supply	100V., 1-Phase		230V., 1-Phase	
Rated Frequency	50Hz	60Hz	50Hz	60Hz
Rated Input	38W	40W	38W	40W
Max. Wire Supply Speed	24m / min	27m / min	24m / min	29m / min
Applicable Welding Wire	Steel, SUS, Solid Iron, SUSFCW			
Applicable Wire Dia. (mm)	Standard: Dia.1.2/1.4 Option: Dia. 0.8/1.0, 0.9/1.2, 1.2/1.2, 1.4/1.6			
Screw Size	9/16-18UNF			
Dimension (W x D x H)	222 x 240 x 174mm			
Net Weight	8.3 kgs		8.2 kgs	

* Rated Power Supply for SEO-W-220V is 230V (Plus/Minus 10%).

* Specification may change without notice.